

# CR BOX

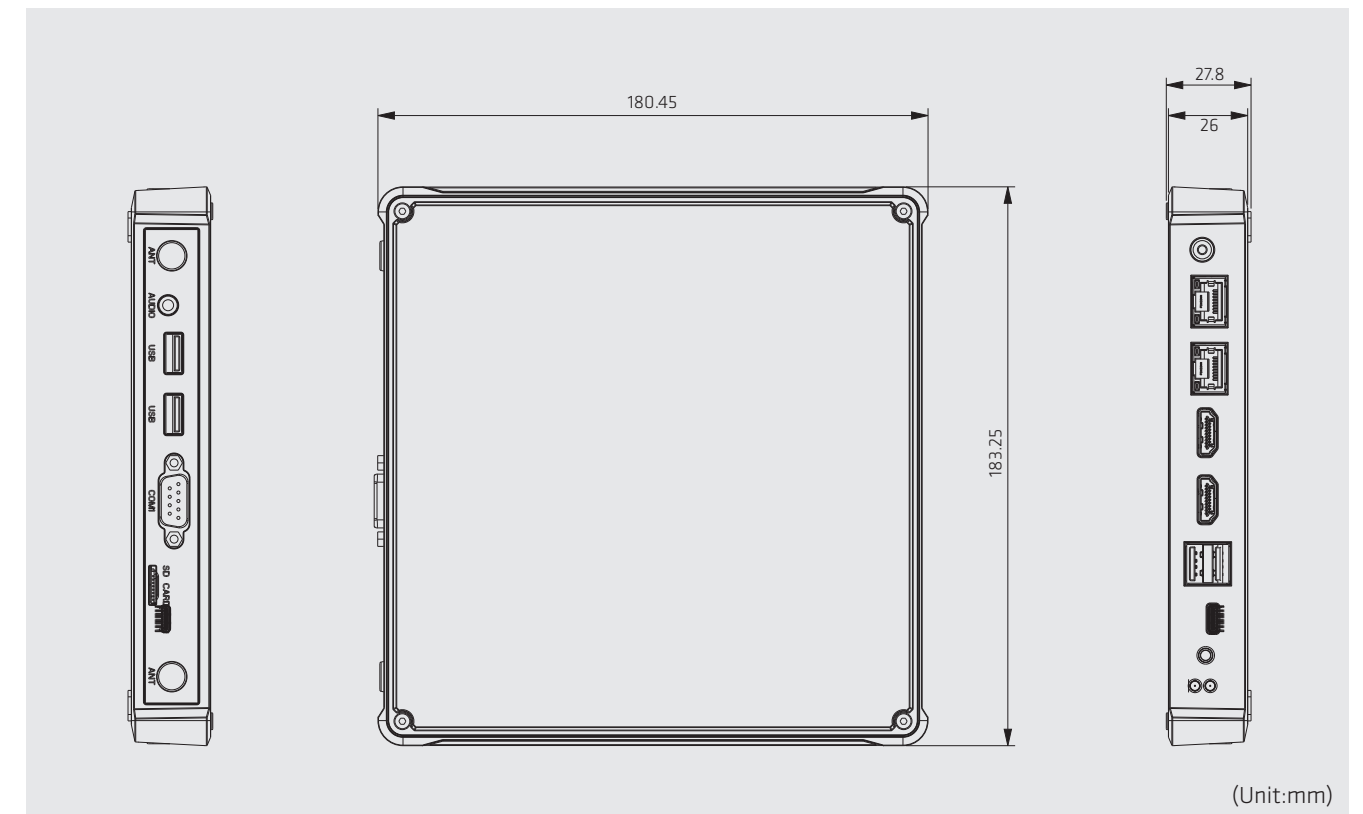
CR BOX is an ultra-slim BOX PC with powerful performance applied with the latest Intel® Core™ and Celeron®. Its Hyper-slim design with Aluminum die-casting case makes CR Box a Enterprise-class PC solution which fulfills durability requirements in any environment. It can be applied to various fields such as kiosk main system, ATM, digital signage, etc.



## CR BOX System

	CR BOX TL	CR BOX EL
<b>System</b>		
Processors	Intel® Core™ i5-1135G7 Processor 8M Cache, up to 4.20 GHz Intel® Core™ i3-1115G4 Processor 6M Cache, up to 4.10 GHz	Intel® Celeron® Processor J6412 1.5M Cache, up to 2.60 GHz
Chipset	Intel® Tiger Lake	Intel® Elkhart Lake
Memory	4GB Standard, DDR4 3200 MT/s, 1 x Socket x SODIMM (Max. 32GB)	
Storage	SATA 3 (6Gb/s) 2.5 inch SSD 256GB), Support AHCI	
RAID	RAID 0,1	-
Operating Systems	Windows 10 IoT Enterprise LTSC	
Audio	HD Audio Codec	

## CR BOX Dimensions



## CR BOX Interface

	CR BOX TL	CR BOX EL
<b>Interface</b>		
Display	2 x HDMI (HDMI1 Support HDMI 1.4)	
USB	External USB 5 (2 x USB 3.0, 2 x USB 2.0, 1 x USB-C / ALT MODE ) Internal USB 2 (2 x 4 Wafer, Supports 2 x USB2.0)	
Serial	External Serial 1 (COM1 with 5V / 12V Power Output on 9 Pins) : Can use one of RS-232 / RS-422 / RS-485 by selecting it in BIOS. (Default setting: RS-232) Internal Serial 5 (2 x 10 Wafer, COM2 / 3 / 4 / 5 / 6, Pin9=12V OUT, Pin10=5V OUT)	
LAN	2 x Gigabit Ethernet, RJ-45 (1 x Realtek RTL8111H, 1 x Intel® I219-LM)	
Audio	1 x Line-out	
Power DC-IN	DC Jack	
SD Card Slot	1 x Micro SD Card Slot (MAX 128GB)	
Extension Slot	Mini PCIe for Wireless LAN/BT/LTE	
Display	2 x HDMI (HDMI1 Support HDMI 1.4)	
USB	External USB (USB 3 (2 x USB 2.0, 1 x USB-C / ALT MODE)) Internal USB (USB 4 (2 x 4 Wafer, Supports 2 x USB2.0))	
Serial	External Serial 4 (COM1, 2 with 5V / 12V Power Output on 9 Pins / COM3, 4 RS-232 RJ45) Internal Serial 2 (2 x 10 Wafer, COM5 / 6, Pin9=12V OUT, Pin10=5V OUT)	
LAN	2 x Gigabit Ethernet, RJ-45 (1 x Realtek RTL8111H, 1 x Intel® I219-LM)	
Audio	1 x Line-out	
Power DC-IN	DC Jack	
Extension Slot	Mini PCIe for Wireless LAN / BT / LTE	
<b>Power</b>		
Power Supply	Adapter 12V, 5A	

## CR BOX Physical & Environmental

	CR BOX TL	CR BOX EL
<b>Physical &amp; Environmental</b>		
Operating Temperature	0 °C ~ 40 °C at 10% ~ 80% Humidity	
Storage Temperature	-20 °C ~ 80 °C at 10% ~ 90% Humidity	
Dimensions (W x H x D)	180 x 25 x 183 (mm), 7 x 0.9 x 7.2 (in)	
Packing Dimensions (W x H x D)	245 x 105 x 240 (mm), 9.6 x 4.1 x 9.4 (in)	
Net Weight	700g, 1.54 lbs	
Packing Weight	1,500g, 3.30 lbs	
Certification	KC / CE / FCC	
Color	Metallic Silver (COVER : Dark Grey)	
<b>Options &amp; Peripherals</b>		
Storage	M.2 NVMe SSD (UP PCIe 4X) or SATA (Max. 128GB)	
Wall Mount Kit	Support	
WiFi / BT	Mini PCIe for Wireless LAN WIFI A / B / G / N / AC+BT 4.0	
TPM	Support	

\*Specifications may change without prior notice.

## CR BOX I/O Ports

