

Printer

With various printer line ups, a new addition of compact cube POS printer is now available. Its compact size can be empowered in cramped spatial circumstances. With flexibility in mind the printer can be switched from top exit to front exit. For enhanced customer experiences, Printer is compatible with leading mobile operating system such as Android and iOS.



Printer System

	POS Printers		
	A6E	A8	A11
Print			
Print Method	Direct Thermal		
Print Speed	220 mm/s	250mm/s	
Print Resolution	203 dpi (8dots/mm)	203 dpi (8dots/mm)	180 dpi (7dots/mm)
Print Width	72mm / 48mm	72mm	54mm, 74mm
Print Font			
Character Size	Font A 12 x 24 dots, Font B 9 x 17 dots	Font A 13 x 26 dots, Font B 10 x 20 dots, Extra Font A 12 x 24	Font A 12 x 24 dots, Font B 9 x 17 dots, Font C 9 x 24 dots
Character per Line	Font A 48, Font B 64	Font A 42, Font B 56, Extra Font A 48	Font A 42, Font B 56, Font C 56
Character Sets	Alphanumeric : 95 Extended Graphics : 128 x 18 Page International : 16	Alphanumeric: 95 Extended Graphics : 128 x 37 Page International : 32 Unicode : UTF-8	Alphanumeric : 95 Extended Graphics : 128 x 37 Page International : 32
Barcode Types	1D : UPC-A, UPC-E, EAN8, EAN13, CODE39, ITF, CODEBAR, CODE193, CODE128 2D : QR Code, PDF417	1D : Coda Bar, Code39, Code93, Code128, EAN-8, EAN-13, ITF, UPC-A, UPC-E 2D : PDF417, QR Code	1D : Coda Bar, Code39, Code93, Code128, EAN-8, EAN-13, ITF, UPC-A, UPC-E 2D : PDF417, QR Code
Graphics	Supporting User-Defined Fonts, Graphics, Logos		

Printer Media | Reliability

	POS Printers		
	A6E	A8	A11
Media			
Type	Thermal Roll Paper		
Paper Feed	Friction Feed		
Loading	Drop in		
Width	58mm, 80mm		
Roll Diameter	Max. 80mm		
Thickness	60~80µm	70µm	62~75µm
Auto Cutter	Partial Only	Full or Partial Selectable	Full or Partial Selectable
Partition	2 inch (58mm)	2 inch (58mm) (Option)	2 inch (58mm)
Reliability			
MCBF	80,000H	60 million Lines	
TPH	100km	150km	
Auto Cutter	1.5 million Cuts		

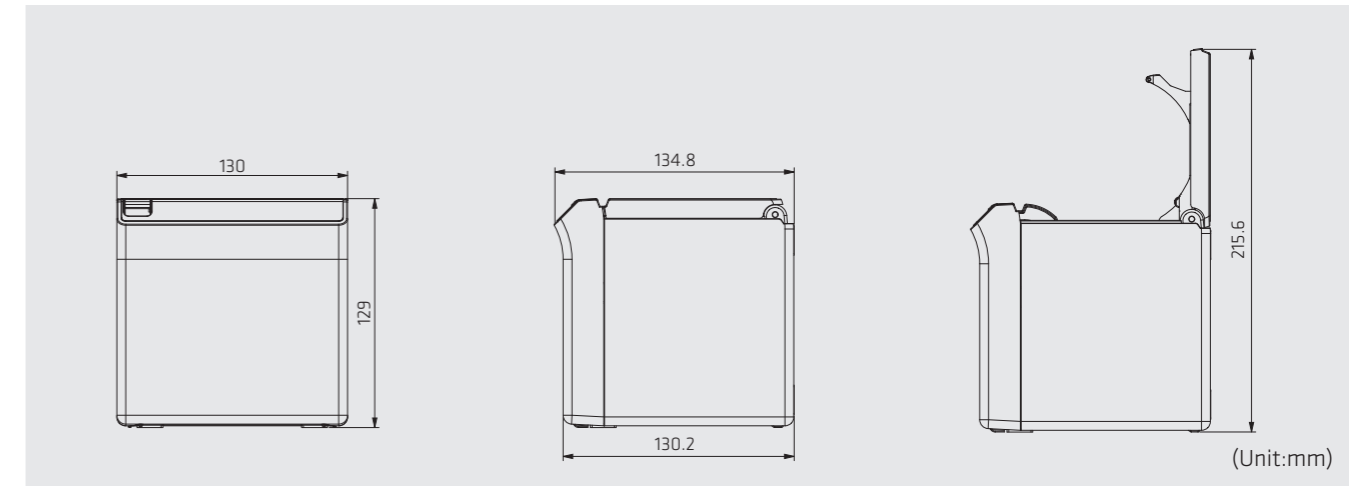
Printer Standard

	POS Printers		
	A6E	A8	A11
Standard			
Interface	A6E : 1x USB 2.0, 1x Serial (DB9), 1x Ethernet (10/100M)	1x Serial, 1x USB 2.0, 1x Ethernet (10/100M) 2x Serial (DB9, RJ45), 1x USB 2.0	1x Serial (RJ-45), 1x USB 2.0, 1x Ethernet (10/100M)
Support Mobile Operating Systems	Android	Android, iOS (SDK)	
Receive Buffer	4KB		
Printer Driver	Windows / OPOS / JPOS / Linux Cups / Mac	Windows / OPOS / JPOS / Linux Cups / Virtual COM USB / Utility Program	Windows / OPOS / JPOS / Linux Cups / Mac / Virtual COM USB / Ethernet / Utility Program
Utility	Configuration Utility (Config, Interface, NV, Blackmark)	NV	Unified POS Utility (VMSM, NV)
Sensors	Paper End, Cover Open, Black Mark	Paper End, Cover Open, BM	Paper End, Cover Open, Black Mark, Partition
Drawer	1 Port		
Power Supply	Adapter 24V, 2.5A (3Pin DIN Plug)		
Temperature & Humidity	Operating : 0 ~ 45°C, 10 ~ 80% RH Storage : -10 ~ 60°C, 10 ~ 90% RH		
Safety Standards	TBD	CE, FCC, KC	CE, FCC

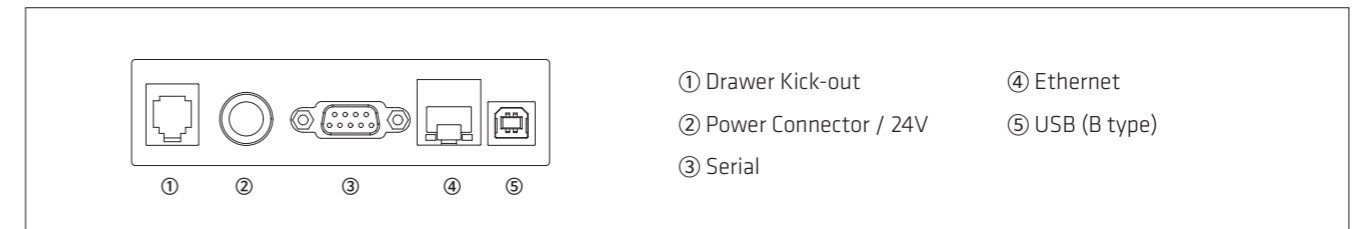
Printer Dimensions

	POS Printers		
	A6E	A8	A11
Dimensions (W x H x D)	130 x 131 x 173 (mm), 5.12 x 5.16 x 6.81 (in)	130 x 129 x 130.2 (mm), 5.1 x 5.07 x 5.1 (in)	142 x 145 x 195 (mm), 5.6 x 5.7 x 7.7 (in)
Packing Dimensions (W x H x D)	291 x 178 x 170 (mm), 11.46 x 7.01 x 6.69 (in)	242 x 162 x 195 (mm), 9.5 x 6.37 x 7.67 (in)	261 x 290 x 205 (mm), 10.23 x 11.41 x 8.07 (in)
Weight	938g, 2.07 lbs	752g, 1.65 lbs	1,600g, 3.5 lbs
Packing Weight	1,816g, 4.00 lbs	2,000g, 4.40 lbs	2,700g, 5.95 lbs
Color	Dark Grey, White		Black, White
WiFi + BT Combo / Serial Cable	Serial Cable	WiFi + BT Combo / Serial Cable	WiFi + BT Combo / Serial Cable
Wall Mount Kit	-	Option	-

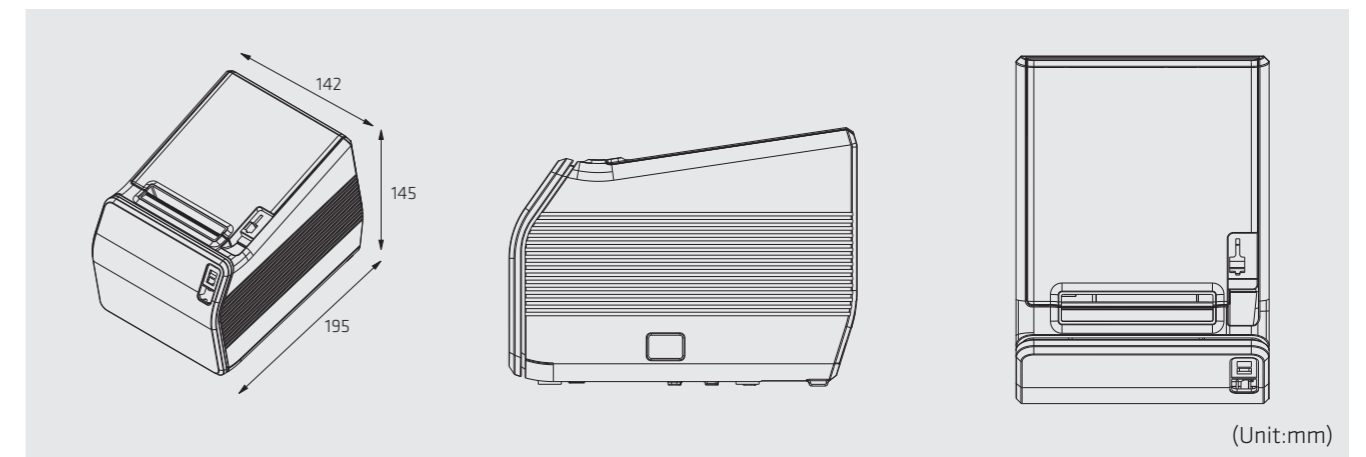
A8 Dimensions



A8 I/O Ports



A11 Dimensions



A11 I/O Ports

